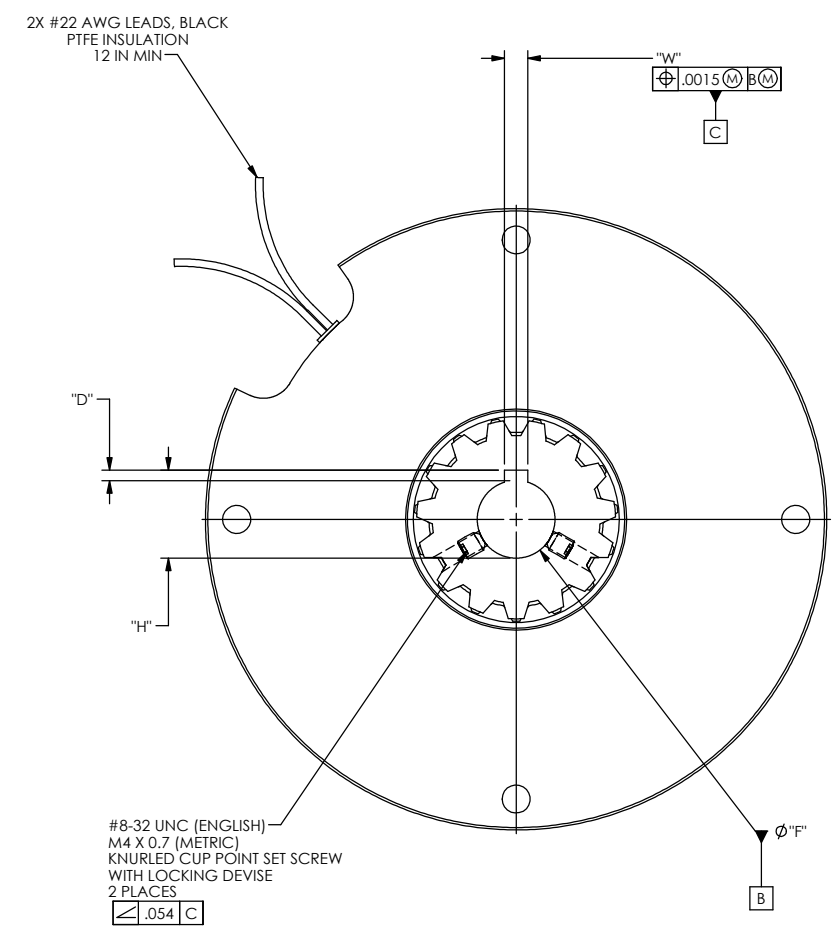
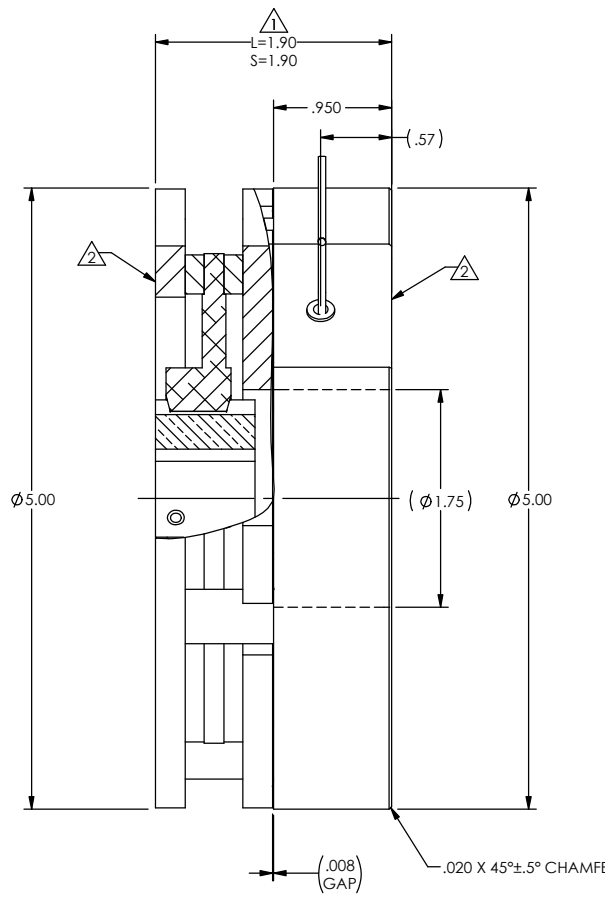
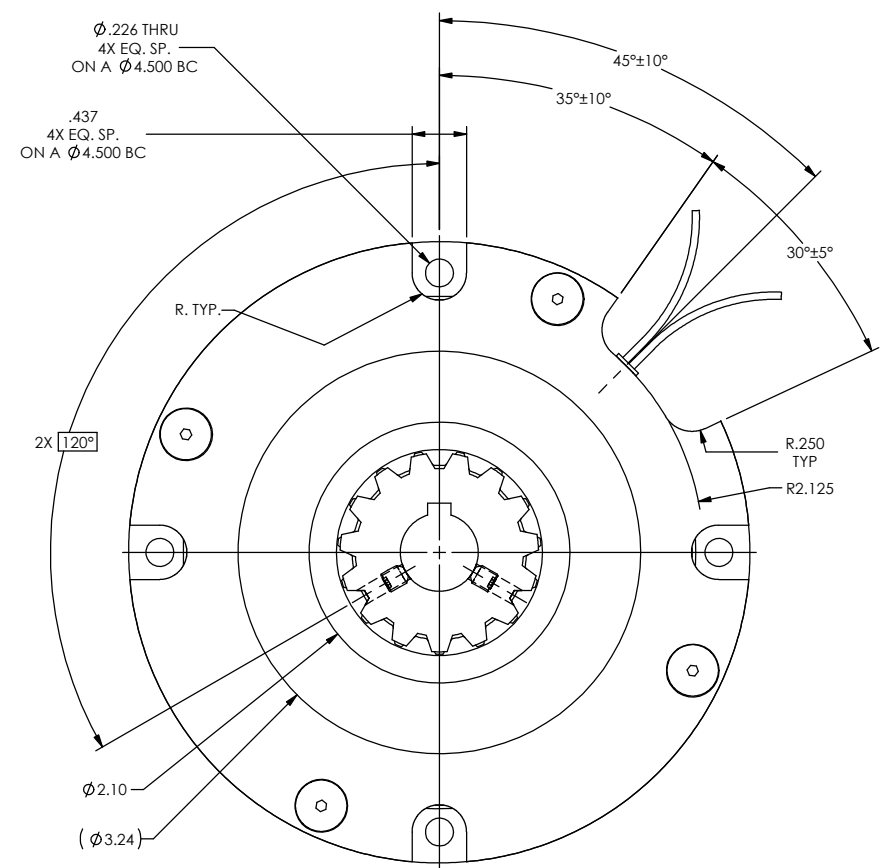


MODEL NUMBER	Ø F	H	W	VOLTAGE
SB-50-24-E10	.625	.709	.1880	24 VDC
SB-50-24-E12	.750	.837	.1880	
SB-50-24-E16	1.000	1.113	.2510	
SB-50-90-E10	.625	.709	.1880	90 VDC
SB-50-90-E12	.750	.837	.1880	
SB-50-90-E16	1.000	1.113	.2510	

MODEL NUMBER	Ø F	D	W	VOLTAGE
SB-50-24-M16	16MM	2.3MM	5MM	24 VDC
SB-50-24-M18	18MM	2.8MM	6MM	
SB-50-24-M20	20MM	2.8MM	6MM	
SB-50-24-M25	25MM	3.3MM	8MM	90 VDC
SB-50-90-M16	16MM	2.3MM	5MM	
SB-50-90-M18	18MM	2.8MM	6MM	
SB-50-90-M20	20MM	2.8MM	6MM	
SB-50-90-M25	25MM	3.3MM	8MM	

REVISIONS				
REV	ECO	DESCRIPTION	DATE	CHECKED
-	-	NEW DRAWING		
A	-	RE-DRAWN TO SW, ADDED ROHS BLOCK	12/30/2014	JFH CAG

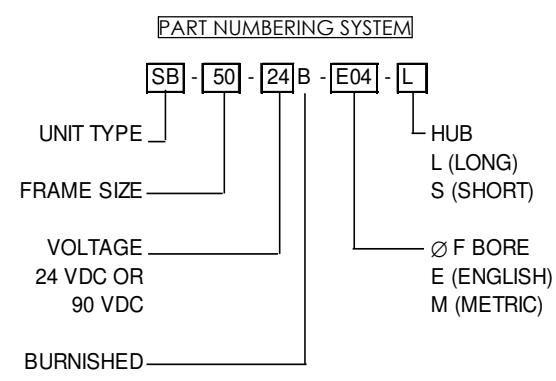
L OR S
 CUSTOM BORES AVAILABLE, CONTACT FACTORY FOR ASSISTANCE



ASSEMBLY AND ALL COMPONENTS MUST MEET EU DIRECTIVE 2011/65/EU (RoHS)

TECHNICAL DATA @ 20°C		
STATIC TORQUE (LB.IN.) MIN	350	
COIL DATA:		
VOLTAGE (V _{DC})	24 VDC ± 10%	90 VDC ± 10%
RESISTANCE (OHMS)	19±10%	291±10%
POWER (WATTS) MAX	33.7@24 VDC	31.0 @ 90 VDC
PULL-IN VOLTAGE (V _{DC}) MAX	16 VDC	60 VDC
	21.6 VDC @ MIN AMP TURNS	81.0 VDC @ MIN AMP TURNS
PULL-IN TIME (ms) NOM	160	
DROP-OUT TIME (ms) NOM	110	
DIELECTRIC STRENGTH	500 VAC - 60 HZ - 1 MIN	
INSULATION RESISTANCE	500 MEGOHMS MIN @ 500 VDC	
BRAKE ROTOR /HUB INERTIA (LB-IN-S ²)	2.0687 X 10 ⁻³ LB IN SEC ²	
BRAKE WEIGHT (LB)	(6.5)	

- △ HUB LOCATION (SET BY CUSTOMER)
 - △ CAN BE MOUNTED ON EITHER FACE
 - △ 100°C MOTOR AMBIENT TEMP. @ BRAKE LOCATION BRAKE COIL TEMP RISE (40°C) WHEN CONTINUOUSLY ENERGIZED @ RATED VOLTAGE. i. e., 140°C BRAKE WILL RELIABLY RELEASE @ 90% OF RATED VOLTAGE.
4. BACKLASH REQUIREMENT: 1.5° MAX.



<p>THIRD ANGLE PROJECTION</p>	<p>UNLESS OTHERWISE SPECIFIED: DIMENSIONS ARE IN INCHES. DIAMETERS CONCENTRIC .003 TIR. FACES PERPENDICULAR .003 INTERPRETATION PER ASME Y14.5M-1994.</p> <p>MACHINE SURFACES</p> <p>FRACTIONS ±1/64 DECIMALS .00 ±.01 ANGLES ±30' .000 ±.005</p> <p>HEAT TREAT</p> <p>FINISH</p>	<p>PARTS LIST</p> <p>REMOVE ALL BURRS AND BREAK SHARP EDGES - .003/010 ALL INSIDE CORNERS TO BE .015 R MAX UNLESS OTHERWISE SPECIFIED.</p> <p>APPROVALS DATE</p> <p>DRAWN CLW 03-12-97</p> <p>CHECKED A.J. COMITO 03-12-97</p> <p>DES ENG T. OMATO 03-12-97</p> <p>MFG ENG</p> <p>QUAL ENG</p>	<p>THOMSON DELTRAN</p> <p>SERVO BRAKE ENGLISH - METRIC</p> <p>SIZE DWG. NO. SB-50 CATALOG SCALE 1:1 SHEET 1 OF 1 CODE IDENT: 58655</p>
		<p>THE INFORMATION CONTAINED IN THIS DRAWING IS THE SOLE PROPERTY OF THOMSON DELTRAN. ANY REPRODUCTION IN PART OR WHOLE WITHOUT THE WRITTEN PERMISSION OF THOMSON DELTRAN IS PROHIBITED.</p>	